

ES-8 Premium Stand



Auto Meter Products Inc.

413 West Elm Street
Sycamore, IL 60178

Toll Free (866) 883-TEST (8378)
Fax (815)-815-895-6786
www.autometer.com

2650-543X-10
Rev.C

Assembly Instructions

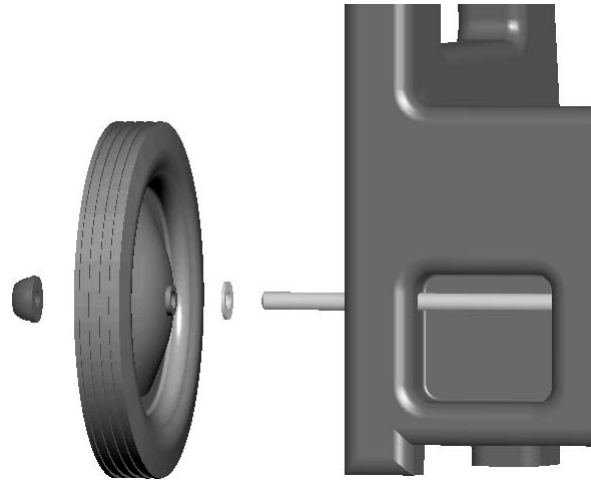
The ES-8 Stand is designed to hold securely the tester shipped with your order. If you have purchased this stand for a tester not designed for mounting to the adjustable shelf you may have to secure it by some other means. The tester shelf has three adjustments – horizontal, 15° and 30° adjustments.

Tools Needed:

- No. 2 Phillips screw driver
- Hammer
- Adjustable wrench

2 Wheel Assembly

- Slide axle through drilled holes.
- Slide one wheel washer on each end.
- Slide one wheel over each end followed by the wheel cap.
- Place wheel cap squarely and tap with a hammer until seated.



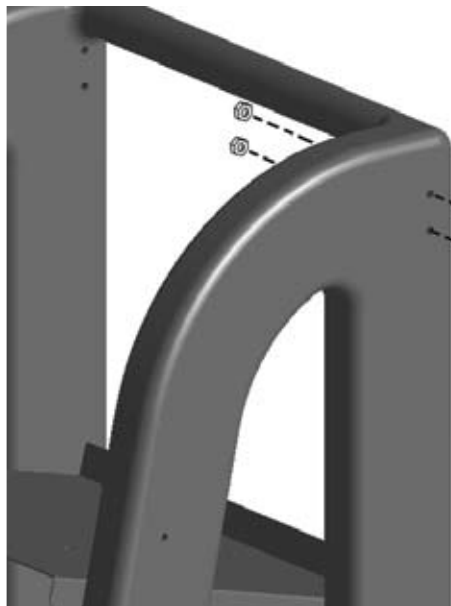
1 Check Contents

Assembly pieces include the following:

- 1 axle
- 2 wheels
- 2 wheel caps
- 2 wheel washers
- 4 - 2 1/2" bolts with nuts for brackets
- 2 - 3/4" bolts to secure tester

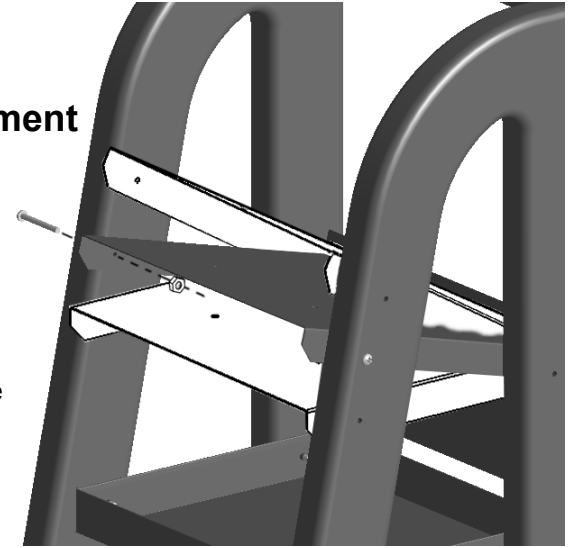
3 Bracket Assembly

- Align the 2 holes in the bracket with the 2 holes in the side of the stand.
- Insert 2 1/2" bolts as illustrated and attach nuts.
- Tighten with a #2 Phillips screwdriver and wrench until secure.
- Repeat procedure for opposite side.



4 Shelf Adjustment

- The tester shelf has three adjustments – horizontal, 15° and 30°.
- Simply remove the two front bolts and nuts and adjust to the upper or lower setting as desired.



5 Mounting the Tester

- Your tester should have two pem nuts. If your tester does not have pem nuts you will have to secure by some other means.
- Using the space displaced by the rubber feet, align the 3/4" bolts with the tester pem nuts.
- Tighten with a wrench. Do not over tighten as this will cause the shelf to deform.

